

Clamp-on Desk Stabilizer

Instruction Manual



SKU: DESK-STB01B



Scan the QR code with your mobile device or follow the link for helpful videos and specifications related to this product.

<https://vivo-us.com/products/desk-stb01b>

GET IN TOUCH | Monday-Friday from 7:00am-7:00pm CST



help@vivo-us.com



www.vivo-us.com
Chat live with an agent!



309-278-5303

WARNING!

If you do not understand these directions, or if you have any doubts about the safety of the installation, please call a qualified technician. Check carefully to make sure there are no missing or defective parts. Improper installation may cause damage or serious injury. Do not use this product for any purpose that is not explicitly specified in this manual. Do not exceed weight capacity. We cannot be liable for damage or injury caused by improper mounting, incorrect assembly or inappropriate use.

WARNING: CHOKING HAZARD

SMALL PARTS - NOT FOR CHILDREN UNDER 3 YEARS. ADULT SUPERVISION IS REQUIRED.

PACKAGE CONTENTS



A (x1)
Outer
Stabilizer Bar



B (x1)
Inner Stabilizer
Bar



C (x2)
M6x12



D (x2)
M6 Lock Nut



E (x1)
Allen
Wrench

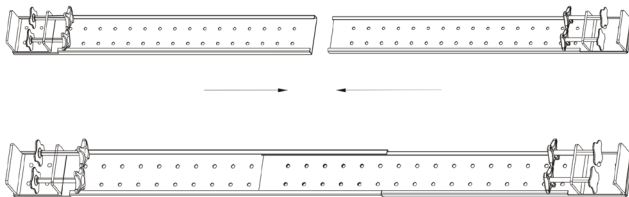
TOOLS NEEDED



ASSEMBLY STEPS

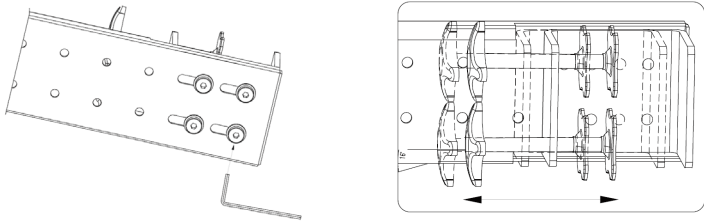
STEP 1

Insert the Inner Stabilizer Bar (**B**) into the Outer Stabilizer Bar (**A**).



STEP 2

Slightly loosen the 8 bolts for the end clamps using the Allen Wrench (E) so the clamps may slide from side to side as shown.



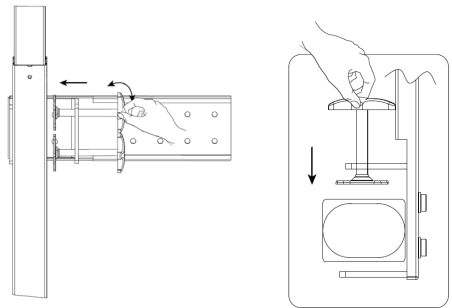
STEP 3

Secure the clamps to the desk legs, making sure not to over-tighten the clamps, then align the holes of the two stabilizer bars.

NOTE: If mounting to a height adjustable desk with the outer layer of the legs on the bottom, attach the stabilizer bar as high as possible to the outer legs. If the outer layer of the legs is on top, attach the stabilizer bar near the bottom of the outer legs.

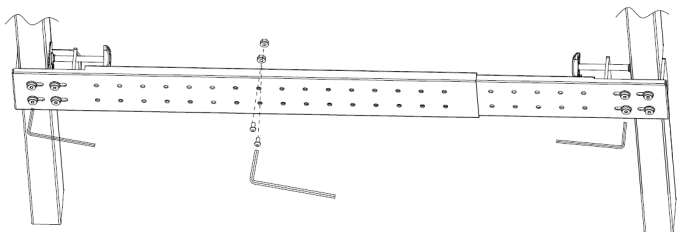
CAUTION!

Over-tightening the clamps may restrict movement of a height adjustable desk, placing excess strain on the mechanism.



STEP 4

Insert the M6x12 Bolts (C) into 2 of the holes of the outer and inner stabilizer bars, and secure using the M6 Lock Nuts (D). Tighten all bolts using the Allen Wrench (E).





Open **Monday - Friday 7:00am - 7:00pm CST**, our dedicated support team can offer immediate assistance with rapid response times. If any parts are received damaged or defective, please contact us. We are happy to replace parts to ensure you have a fully functioning product.


 help@vivo-us.com

AVG. RESPONSE TIME (*within office hrs*): **1HR 8M**

- 23% within < 15m
- 38% within < 30m
- 61% within < 1hr
- 83% within < 2hr
- 92% within < 3hr

 www.vivo-us.com
Chat live with an agent!

AVG. RESOLUTION TIME (*within office hrs*): **< 15 M**

 309-278-5303

AVG. RESOLUTION TIME (*within office hrs*): **5M 4S**